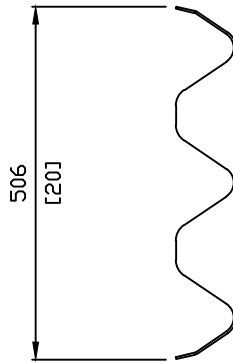
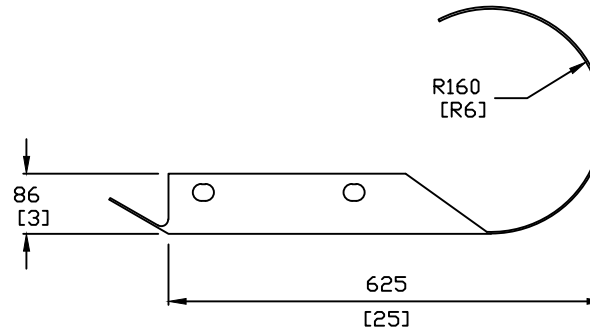
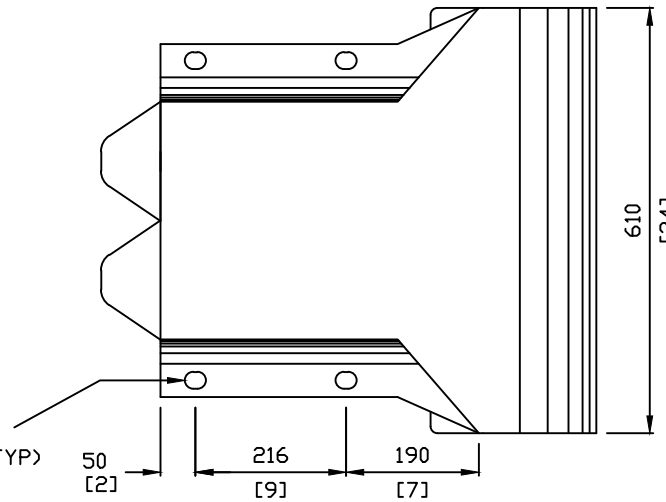


NOTES

Dimensional tolerances not shown or implied are intended to be those consistent with the proper functioning of the part, including its appearance and accepted manufacturing practices.



24 X 30 SPLICE BOLT SLOT (TYP)
[.94 X 1.18]



No.	QTY	Description	Part No.
		12 GA 24' X 48' A570 GRADE 33	5574
No.	QTY	Description	Part No.

Qty	Due Date	UNITS	
DRAWN BY	JJK	THRIE-BEAM SINGLE BUFFER	
DATE	10/09/2013		
		SIZE	DWG NO
			RTE02a
EST SHIPPING WT.	36 lbs.	SCALE	SHEET