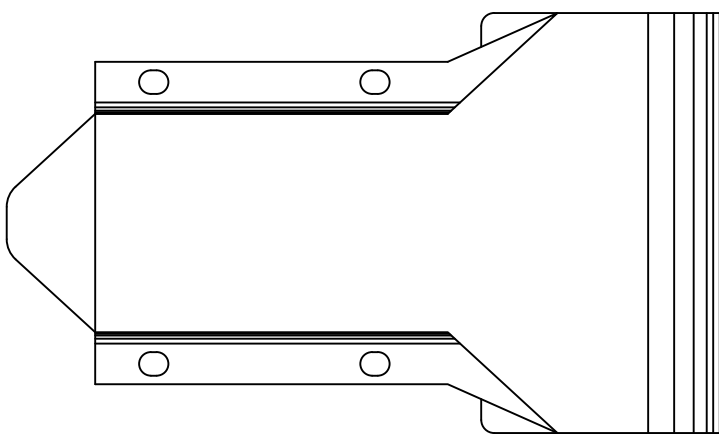
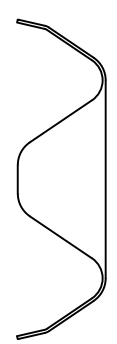
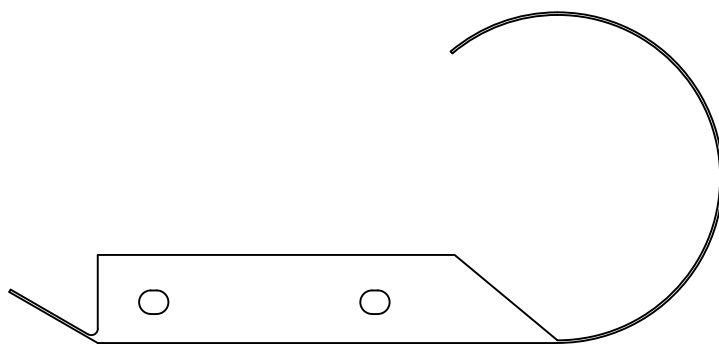


NOTES

Dimensional tolerances not shown or implied are intended to be those consistent with the proper functioning of the part, including its appearance and accepted manufacturing practices.



No.	QTY	BLANK DESCRIPTION	Part No.
		12 GA. 16.25' X 48' A570 GRADE 33	5564

Qty	Due Date	UNITS	
DRAWN BY	JJK	W-BEAM SINGLE BUFFER	
DATE	10/09/2013		
		SIZE	REV
		DWG NO	RWE03a
EST SHIPPING WT.	23 lbs	SCALE	SHEET